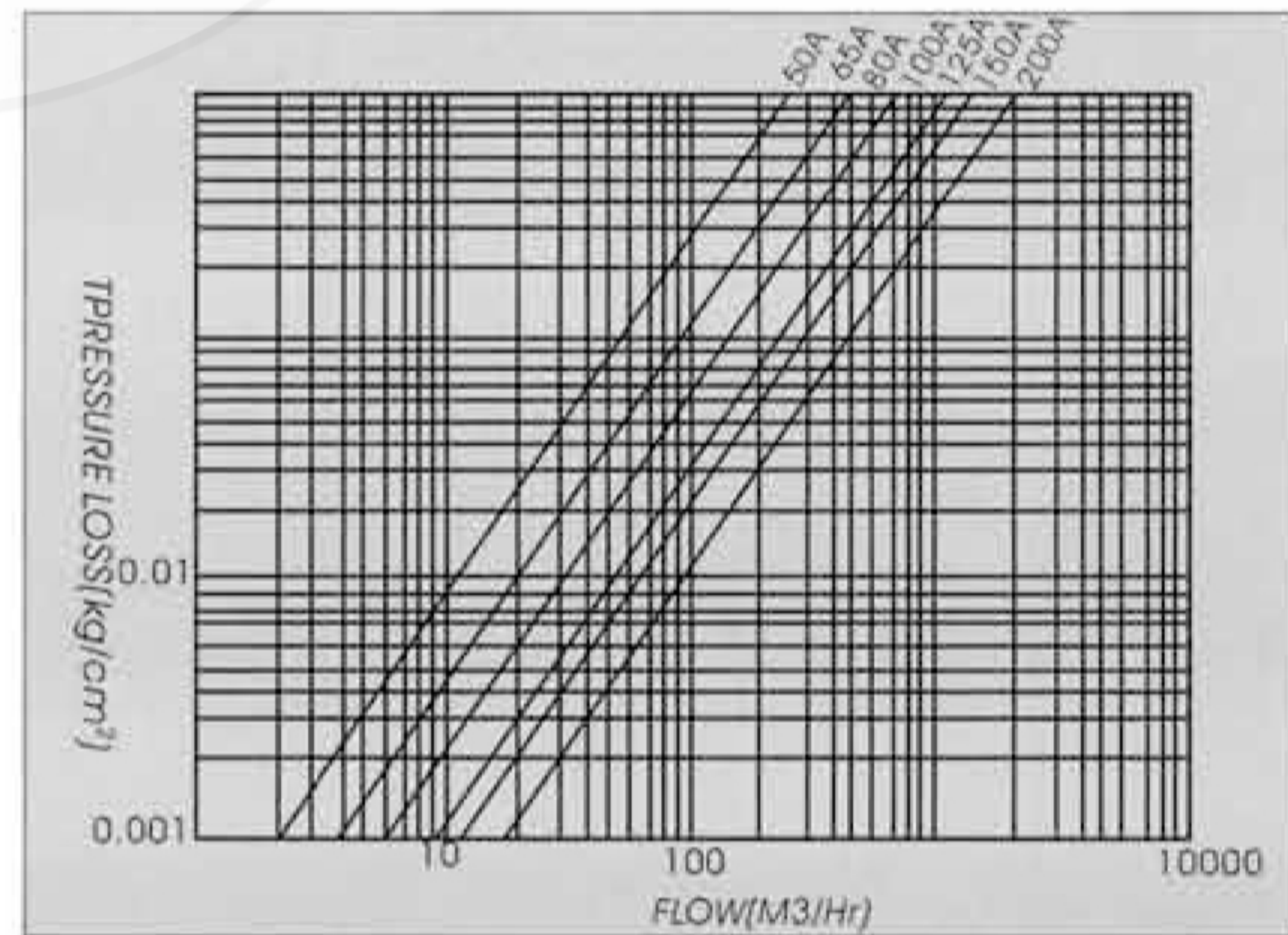
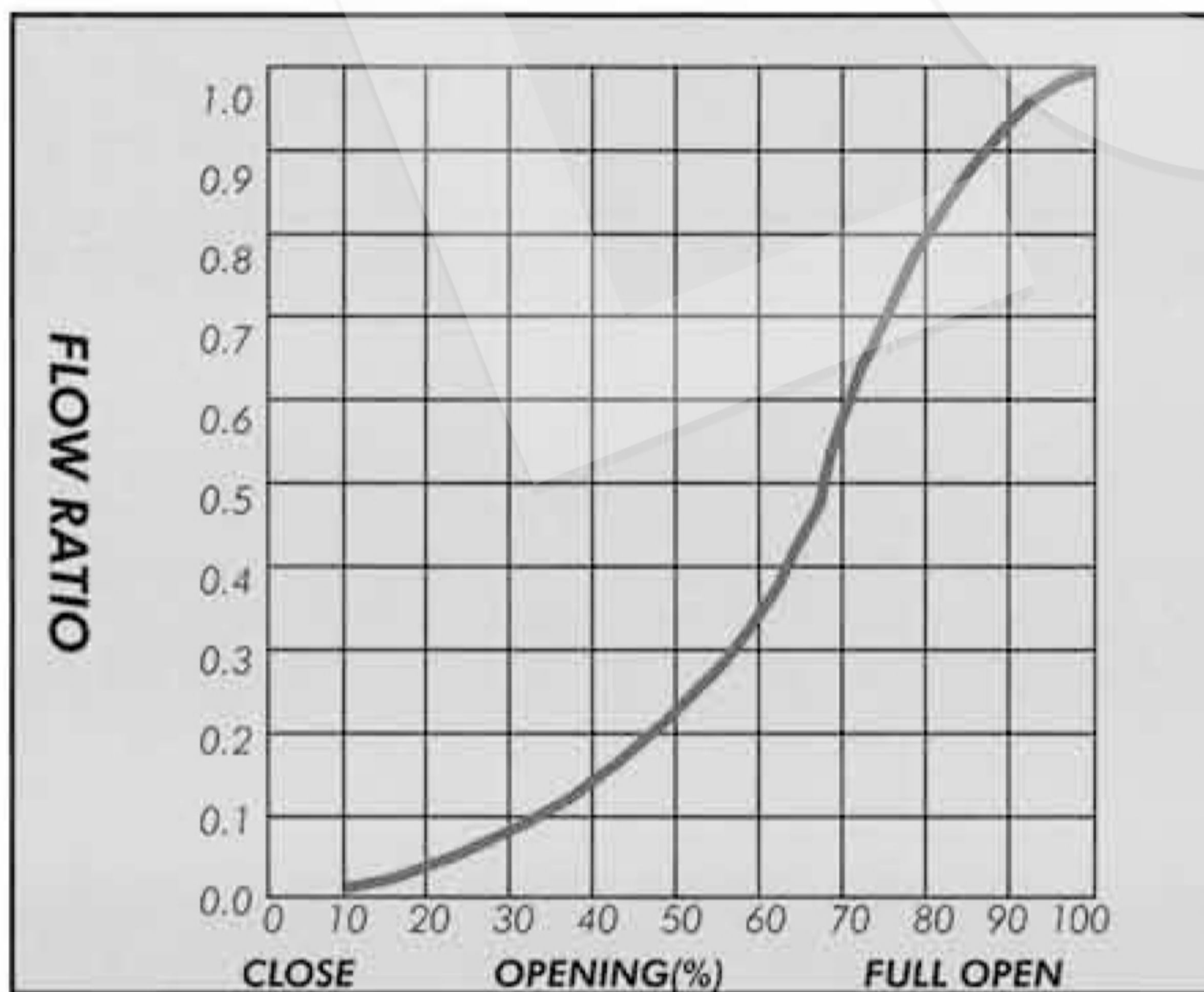
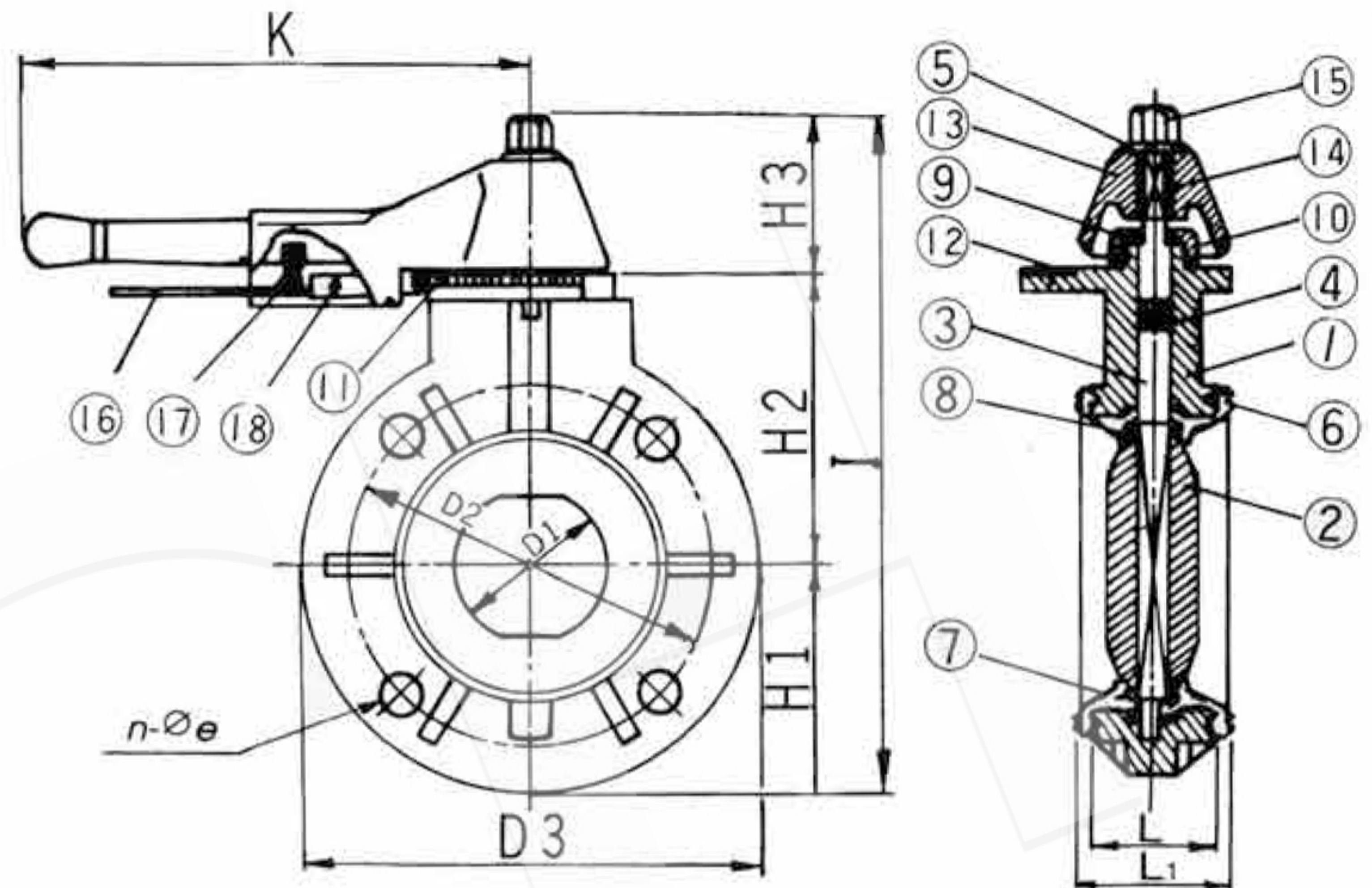




BUTTERFLY VALVE LEVER HANDLE TYPE

TYPE:BB300



MATERIALS OF CONSTRUCTION

| Item | Parts | Pcs | Materials | Item | Parts | Pcs | Materials |
|------|----------------|-----|----------------------|------|---------------------------|-----|--------------------------|
| ① | Body | 1 | UPVC, PP, PPG, PVDF | ⑩ | Reatainer Cap | 1 | UPVC, PP |
| ② | disc | 1 | UPVCS, PP, PPG, PVDF | ⑪ | Positioner | 1 | SUS304 8" Use SS41 |
| ③ | Stem | 1 | SUS410, SUS316 | ⑫ | Screw | 3 | SUS304 |
| ④ | Stem O'ring | 2 | EPDM, VITON | ⑬ | Handle | 1 | ABS |
| ⑤ | Washer | 1 | SUS304 | ⑭ | Inserted Heatal of Handle | 1 | FC0208 |
| ⑥ | Seat | 1 | EPDM, VITON | ⑮ | Nut | 1 | PVC COATED BRASS, SUS304 |
| ⑦ | Disc O'ring(1) | 2 | EPDM, VITON | ⑯ | Handle Lever | 1 | SUS 304 8" . USE SS41 |
| ⑧ | Disc O'ring(2) | 2 | EPDM, VITON | ⑰ | Spring | 1 | SUS304 |
| ⑨ | Stem Retainer | 1 | SUS304 | ⑱ | Set Pin | 1 | BSBM |



DIMENSIONS TABLE

| JIS | | | | | | | | | | | | | Unit: mm | | |
|---------------------|-----|-----|-----|-----|----|----|----|-----|-----|----|-----|-----|--------------------------------------|------|--|
| Nom-Size DN-Inch | D1 | D2 | D3 | φ e | n | L | L1 | H1 | H2 | H3 | I | K | Test Press (kgf/cm ²) | | Working Press (kgf/cm ²) |
| | | | | | | | | | | | | | Body | Seal | |
| 50-2" | 57 | 120 | 160 | 19 | 4 | 35 | 42 | 83 | 102 | 68 | 250 | 220 | 15.0 | 12.0 | 10.0 |
| 65-2 1/2" | 72 | 140 | 184 | 19 | 4 | 37 | 46 | 92 | 110 | 68 | 270 | 220 | 15.0 | 12.0 | 10.0 |
| 80-3" | 80 | 150 | 200 | 19 | 8 | 37 | 46 | 100 | 118 | 68 | 286 | 220 | 15.0 | 12.0 | 10.0 |
| 100-4" | 100 | 175 | 230 | 19 | 8 | 47 | 56 | 115 | 134 | 68 | 317 | 220 | 15.0 | 12.0 | 10.0 |
| 125-5" | 130 | 210 | 250 | 23 | 8 | 57 | 66 | 127 | 160 | 96 | 318 | 310 | 15.0 | 12.0 | 10.0 |
| 150-6" | 150 | 240 | 290 | 23 | 8 | 62 | 71 | 145 | 177 | 96 | 418 | 310 | 15.0 | 12.0 | 10.0 |
| 200-8" | 203 | 290 | 337 | 23 | 12 | 76 | 87 | 168 | 204 | 93 | 465 | 414 | 15.0 | 12.0 | 10.0 |

| ANSI | | | | | | | | | | | | | Unit: inch | | |
|---------------------|------|-------|-------|------|---|------|------|------|------|------|-------|-------|--------------------------------------|------|---|
| Nom-Size DN-Inch | D1 | D2 | D3 | φ e | n | L | L1 | H1 | H2 | H3 | I | K | Test Press (kgf/cm ²) | | Working Press (lb/in ²) |
| | | | | | | | | | | | | | Body | Seal | |
| 50-2" | 2.24 | 4.75 | 6.29 | 0.75 | 4 | 1.38 | 1.65 | 3.27 | 4.01 | 2.68 | 9.84 | 8.66 | 222 | 177 | 150 |
| 65-2 1/2" | 2.83 | 5.50 | 7.24 | 0.75 | 4 | 1.46 | 1.81 | 3.62 | 4.33 | 2.68 | 10.63 | 8.66 | 222 | 177 | 150 |
| 80-3" | 3.15 | 6.00 | 7.87 | 0.75 | 4 | 1.46 | 1.81 | 3.94 | 4.64 | 2.68 | 11.26 | 8.66 | 222 | 177 | 150 |
| 100-4" | 3.93 | 7.50 | 9.06 | 0.75 | 8 | 1.85 | 2.20 | 4.53 | 5.28 | 2.68 | 12.48 | 8.66 | 222 | 177 | 150 |
| 125-5" | 5.12 | 8.50 | 9.84 | 0.87 | 8 | 2.24 | 2.60 | 5.00 | 6.30 | 3.78 | 15.00 | 12.20 | 222 | 177 | 150 |
| 150-6" | 5.90 | 9.50 | 11.42 | 0.87 | 8 | 2.44 | 2.80 | 5.71 | 6.97 | 3.78 | 16.46 | 12.20 | 222 | 177 | 150 |
| 200-8" | 7.99 | 11.75 | 13.27 | 0.87 | 8 | 2.99 | 3.43 | 6.61 | 8.03 | 3.66 | 18.31 | 16.30 | 222 | 177 | 150 |

| DIN | | | | | | | | | | | | | Unit: mm | | |
|---------------------|-----|-----|-----|-----|---|----|----|-----|-----|----|-----|-----|--------------------------------------|------|--|
| Nom-Size DN-Inch | D1 | D2 | D3 | φ e | n | L | L1 | H1 | H2 | H3 | I | K | Test Press (kgf/cm ²) | | Working Press (kgf/cm ²) |
| | | | | | | | | | | | | | Body | Seal | |
| 50-2" | 57 | 125 | 160 | 18 | 4 | 35 | 42 | 83 | 102 | 68 | 250 | 220 | 15.0 | 12.0 | 10.0 |
| 65-2 1/2" | 72 | 145 | 184 | 18 | 4 | 37 | 46 | 92 | 110 | 68 | 270 | 220 | 15.0 | 12.0 | 10.0 |
| 80-3" | 80 | 160 | 200 | 18 | 8 | 37 | 46 | 100 | 118 | 68 | 286 | 220 | 15.0 | 12.0 | 10.0 |
| 100-4" | 100 | 180 | 230 | 18 | 8 | 47 | 56 | 115 | 134 | 68 | 317 | 220 | 15.0 | 12.0 | 10.0 |
| 125-5" | 130 | 210 | 250 | 18 | 8 | 57 | 66 | 127 | 160 | 96 | 381 | 310 | 15.0 | 12.0 | 10.0 |
| 150-6" | 150 | 240 | 290 | 23 | 8 | 62 | 71 | 145 | 177 | 96 | 418 | 310 | 15.0 | 12.0 | 10.0 |
| 200-8" | 203 | 295 | 337 | 23 | 8 | 76 | 87 | 168 | 204 | 93 | 465 | 414 | 15.0 | 12.0 | 10.0 |